



Performance by Design

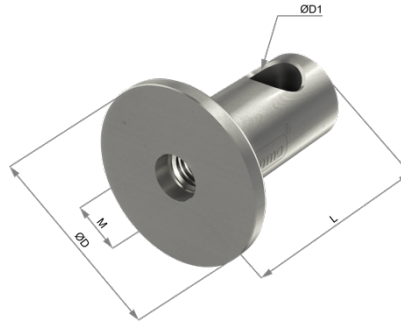
Product Data Sheet



hamma® Standoffs Assemblies

Code: **HM-ARC20-1RB**

1-HOLE ROUND WITH BASE



Product Code	Ø D1 (MM)	M	Ø D (MM)	L (MM)
HM-ARC20-1RB	14.5	M12	50.0	55.0

Technical Data

- Fully Engineered
- Structural Design Certification approved
- Meets Australian / New Zealand Standard AS/NZS 1170. 1 :2002 – suitable for areas susceptible to crowding
- Meets the Building Code of Australia (BCA) National Construction Code (NCC) Volume 2 2019 – requirements for barriers and hand rails
- Various fixing details to suit project requirements
- Multiple sizing and aperture types to meet specific project parameters
- Versatility of uses of a single system include balustrading, fall-arrest, anti-climb, enclosure and screening capabilities

NOTE:

All measurements in mm unless otherwise stated.

Contact us on 1800 272 879 or email sales@arcuswire.com

www.arcuswire.com

hamma® is exclusively owned by Arcus Wire Group

