



Performance by Design

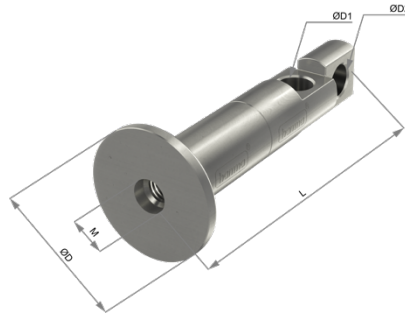
Product Data Sheet



hamma® Standoffs Assemblies

Code: **HM-ARC20-2FEB**

2-HOLE FLAT WITH EXTENSION & BASE



Product Code	Ø D1 (MM)	Ø D2 (MM)	M	Ø D (MM)	L (MM)
HM-ARC20-2FEB	14.0	14.0	M12	50.0	130.0

Technical Data

Electro Polish Finished

- Long lasting in the built environment
- Highly resistant

Timber, Masonry Fixing

- M12 chemical set or combo lag thread fixings

Design Layout Flexibility

- Vertical
- Horizontal
- Combinations of above
- Diamond

Commercial and Domestic Application

NOTE:

All measurements in mm unless otherwise stated.

Contact us on 1800 272 879 or email sales@arcuswire.com

www.arcuswire.com

hamma® is exclusively owned by Arcus Wire Group

