



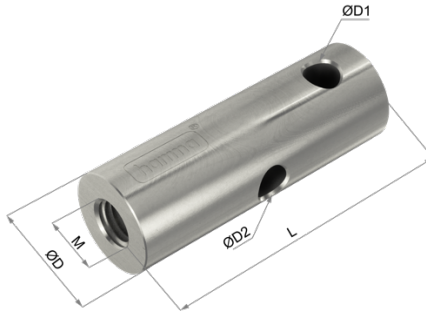
Performance by Design

Product Data Sheet



hamma® Standoffs Components

Code: HM-ARC20-BAR-B
2-HOLE ROUND



Product Code	M	L (MM)	Ø D	Ø D1	Ø D2
HM-ARC20-BAR-B	M12	75.0	25.4	9.0	9.0

Technical Data

Electro Polish Finished

- Long lasting in the built environment
- Highly resistant

Timber, Masonry Fixing

- M12 chemical set or combo lag thread fixings

Design Layout Flexibility

- Vertical
- Horizontal
- Combinations of above
- Diamond

Commercial and Domestic Application

NOTE:

All measurements in mm unless otherwise stated.

Contact us on 1800 272 879 or email sales@arcuswire.com
www.arcuswire.com

hamma® is exclusively owned by Arcus Wire Group

